



ENGINEERED POWER SYSTEMS

Comprehensive DC Power Solutions for Tomorrow's Electrical Infrastructure

About SENS

Headquartered in Colorado, USA, SENS designs and manufactures mission-critical DC power systems for the world's most demanding infrastructure. For more than 50 years, we've helped customers reduce operational risk, simplify deployment, and protect uptime.

Today, our solutions power and protect over 80% of hyperscale and colocation data centers in the United States.

Bring us your specifications. We'll optimize the solution.

Modern energy systems require more than components, they demand engineered solutions. We partner with data centers, utilities, oil & gas, and healthcare to design solutions that address real-world constraints: engine starting, redundancy architecture, maintainability, and evolving load demands.

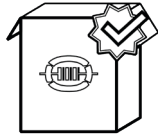


Engineered Solutions Approach

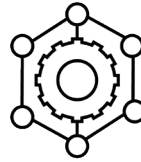
We deliver fully integrated DC power systems built for reliability, scalability, and real-world performance. Our products combine energy storage, power conversion, distribution, monitoring, and redundancy into a unified architecture.

We take ownership of the entire system design to reduce the engineering burden on your team and ensure every solution is optimized for its application.

Our Commitment



Reliable, installation-ready systems delivered on time.



Integrated designs that eliminate fragmented components.



Configurable platforms designed and delivered at scale.



Reduced design, procurement, and integration burden on your team.



Fully compliant with national and local agencies: UL, cUL, seismic, NEC.

U.S.-Based Manufacturing

We operate over 130,000 square feet of U.S.-based manufacturing across three facilities to enable scalable production and consistent quality. Our operations are built for growth. We deploy strategic capacity planning and efficient workflows to ensure reliable delivery and strong supply chain stability for large-scale, mission-critical projects.

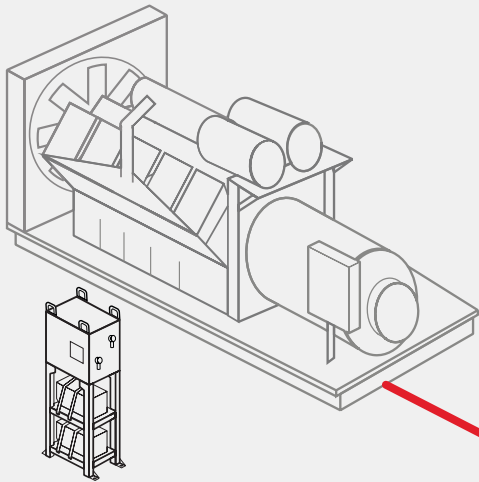


Leaders in DC Power Innovation

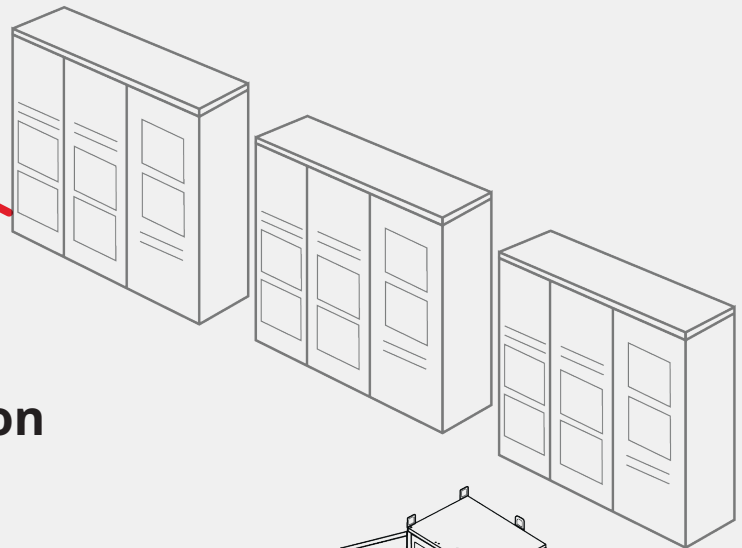
Our DC systems are the unseen backbone of your operations. They support uptime, continuity, and performance across critical infrastructure. From battery charging and monitoring to packaged power systems, our solutions are designed for long-term reliable and scalable performance.

Mission-Critical Engine Starting

Featuring the **SuperTorque®** product line, our engine starting solutions deliver high-current starting capability, advanced charging technology, and compact integrated design for dependable generator performance in demanding environments.

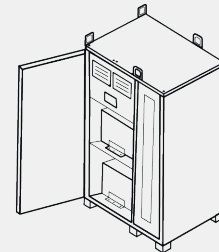


SuperTorque® 8R



Switchgear and Substation DC Power Systems

Featuring the **PowerCab®** product line, our DC control power platforms provide integrated battery charging, monitoring, and distribution for switchgear control and protection systems. Designed for utility and industrial applications, the PowerCab line delivers reliable performance in a compact, extensible platform.



PowerCab® 2

Application-specific Solutions

Problem:

As hyperscale infrastructure demands accelerate, traditional field-assembled power systems can no longer keep pace.

Our approach is applied in practice. We partnered with an end user to develop a fully engineered, factory-integrated packaged power solution built around real project constraints. By shifting integration into our controlled factory environment, the team reduced on-site complexity and improved overall speed, safety, and consistency.

The result is a standardized, factory-validated power node that enables faster deployment and repeatable performance across global hyperscale campuses.

Solution: PowerCab®2 DC Power System

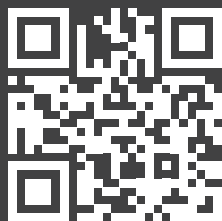


Outcome:

- Faster time to power through simplified installation and commissioning
- Reduced risk with minimal on-site integration
- Scalable, repeatable deployments across global infrastructure
- Compact, engineered systems designed for reliability



Read the full story at
www.sens-usa.com



Contact

Stored Energy Systems LLC

www.sens-usa.com

(303) 678-7500

info@sens-usa.com